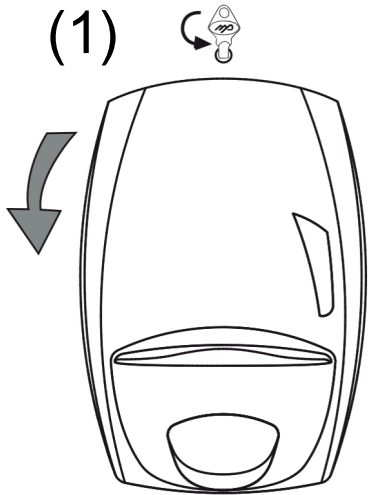
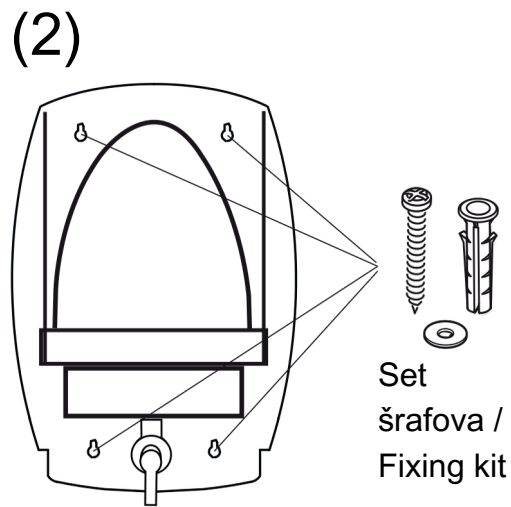


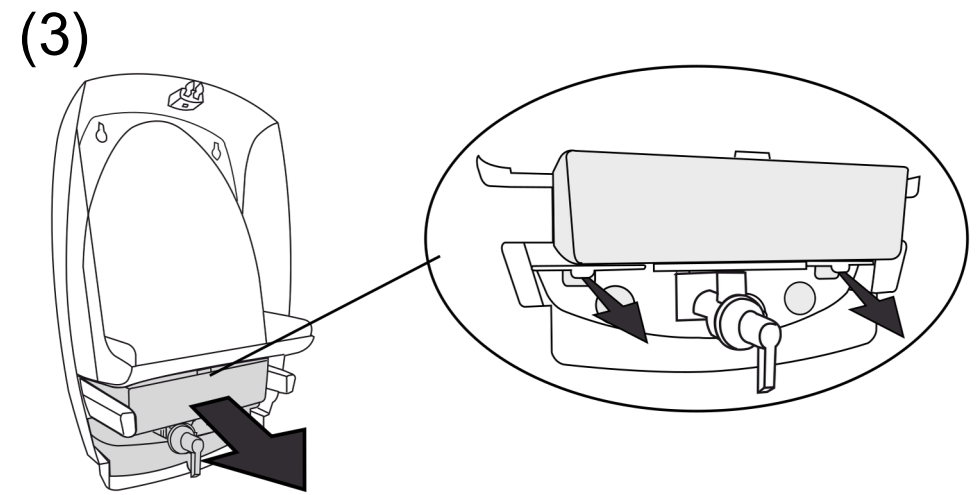
Uputstvo za montažu 11 Azala DUO / Installation instructions 11 Azala DUO



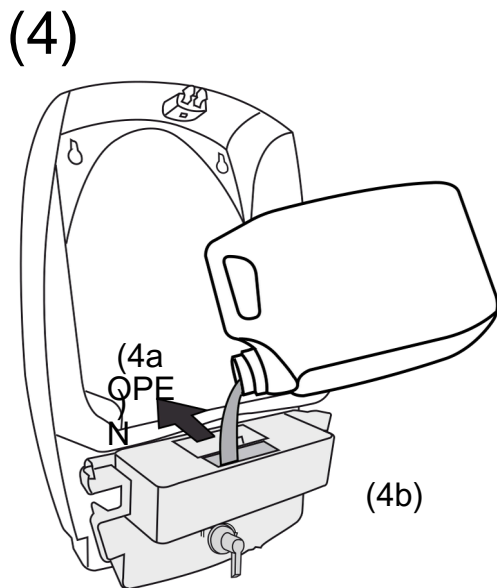
1. Otvorite dispenser pomoću ključa.
1. Open the dispenser with the key.



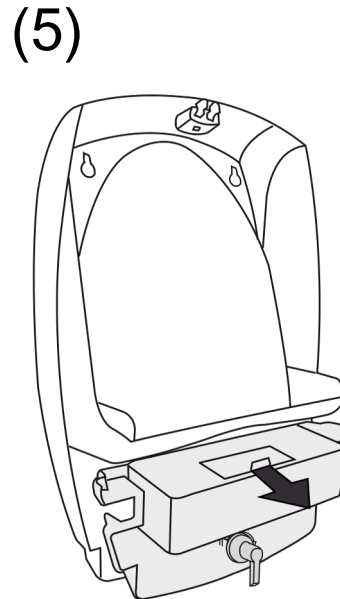
2. Pričvrstite dispenser za zid koristeći set šrafova.
2. Fix dispenser to the wall using the screws-kit.



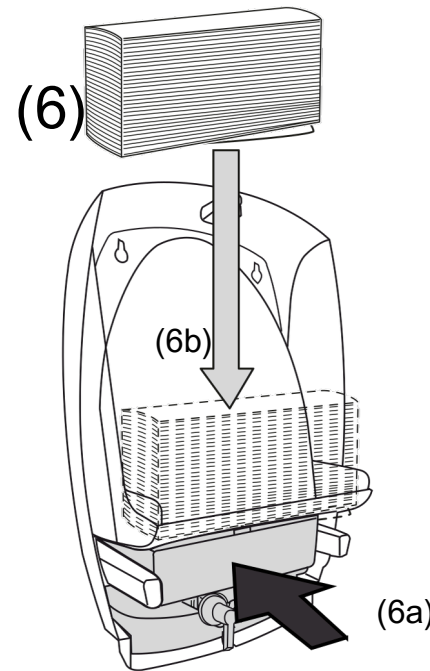
3. Proširite.
3. Extract.



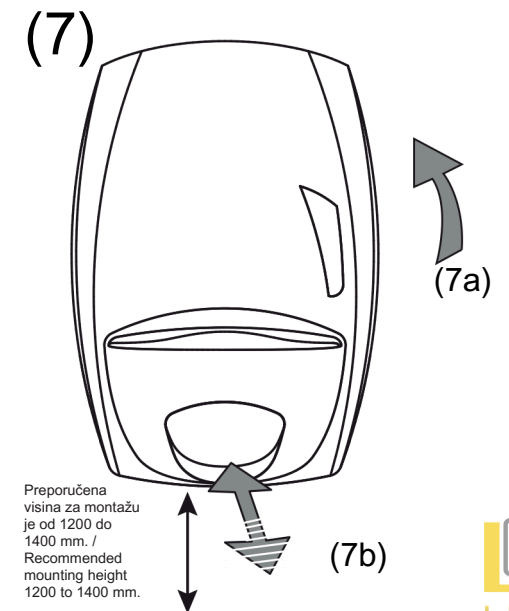
4. Otvorite i dopunite.
4. Open and refill.



5. Zatvorite dispenser.
5. Close dispenser.



6. Postavite papir u slojevima.
6. Place the interfolded paper.



Preporučena
visina za montažu
je od 1200 do
1400 mm. /
Recommended
mounting height
1200 to 1400 mm.

7. Gurnite i zatvorite dispenser.
7. Push and close the dispenser.



Made in Italy